

# Electric Window Control System Wiring Guide

## 86 TYPE CONTROLLER



LK-MR531/533/535/536



LK-MR532

## 8 CHANNEL CONTROLLER



LK-MR551



LK-MR561

## CONTROL PANEL



LK-CP7/CP8

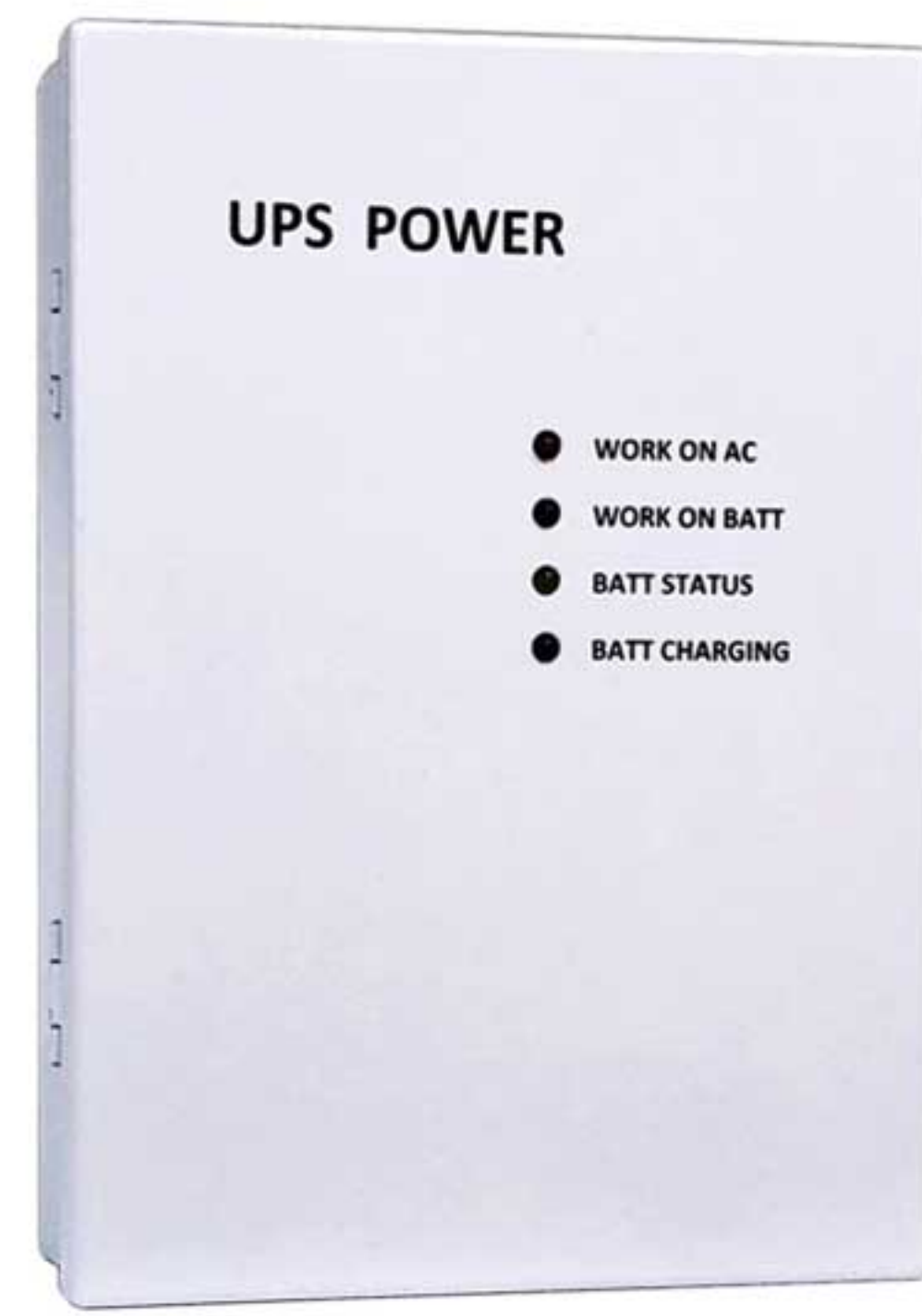


LK-CP61/CP62/CP63/CP64



LK-UP21/UP22/UP24

## ■ UPS POWER SUPPLY



LK-21UP24015/2403/2406

## ■ SYNCHRONIZER



LK-S102

## ■ MANUAL SWITCH



LK-MS541



LK-SB106



LK-MS542-1R

## ■ EXTERNAL SENSOR



LK-WLR001



LK-RS001

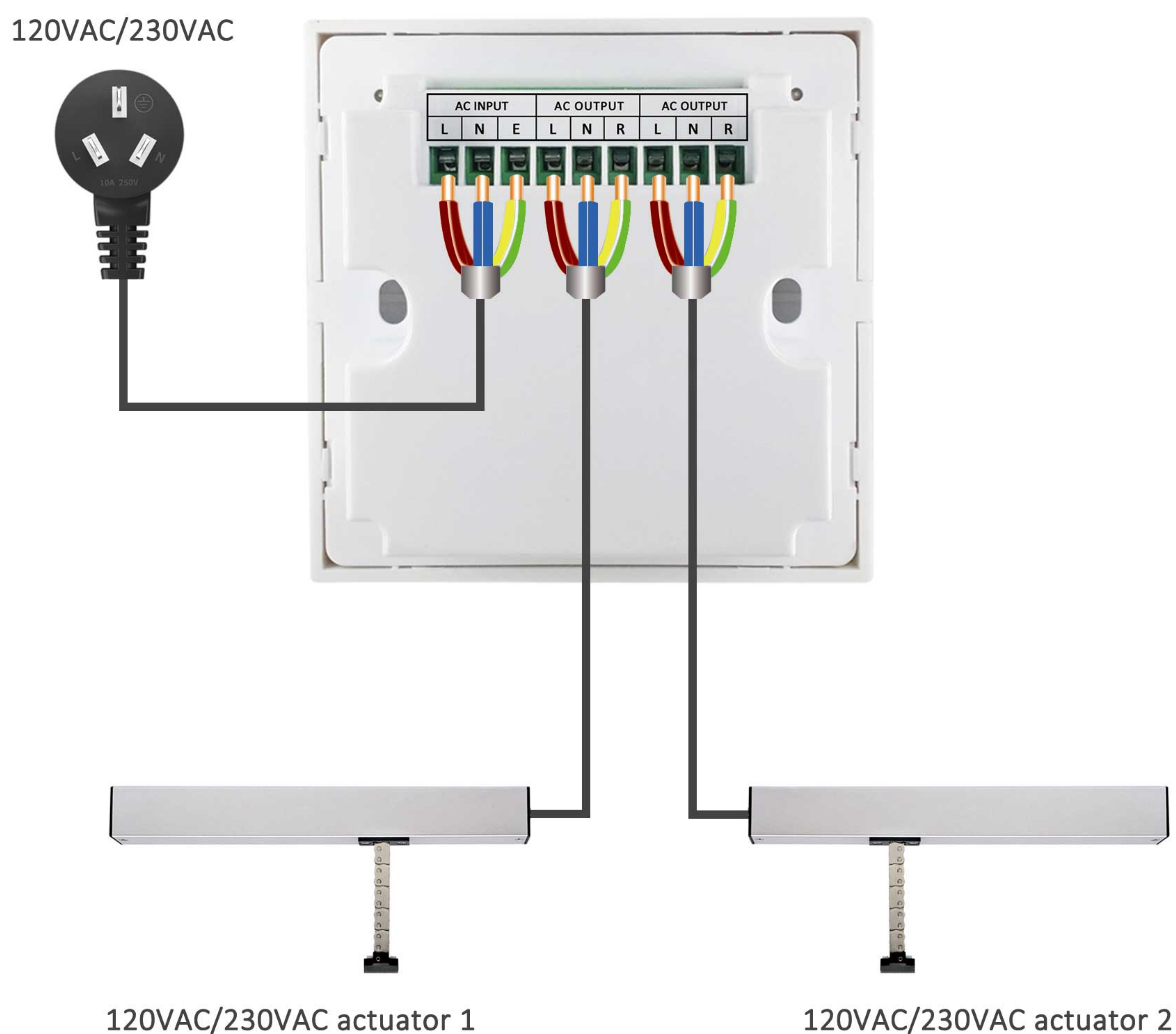


LK-YT142/LK-GA502



LK-TH001

## ■ WIRING DIAGRAM

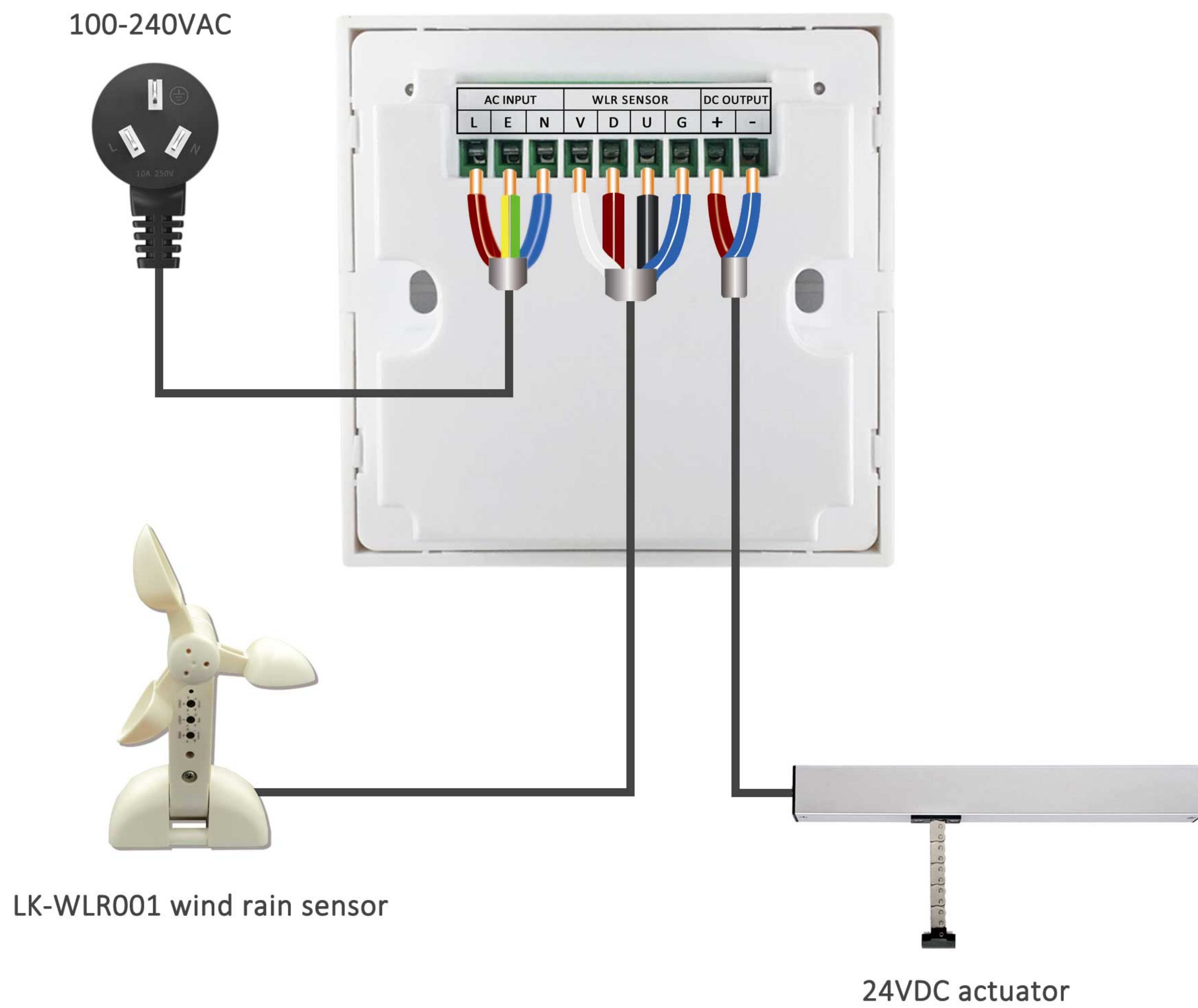


## ■ WIRING DESCRIPTION

Controller	AC power
AC INPUT	Cable
L	Live wire
N	Null wire
E	Earth wire

Controller	AC actuator
AC OUTPUT	Cable
L	Brown
N	Blue
R	Yellow/Green

## WIRING DIAGRAM



\* LK-MR533/LK-MR535 can connect with LK-RS001 rain sensor as well.

## WIRING DESCRIPTION

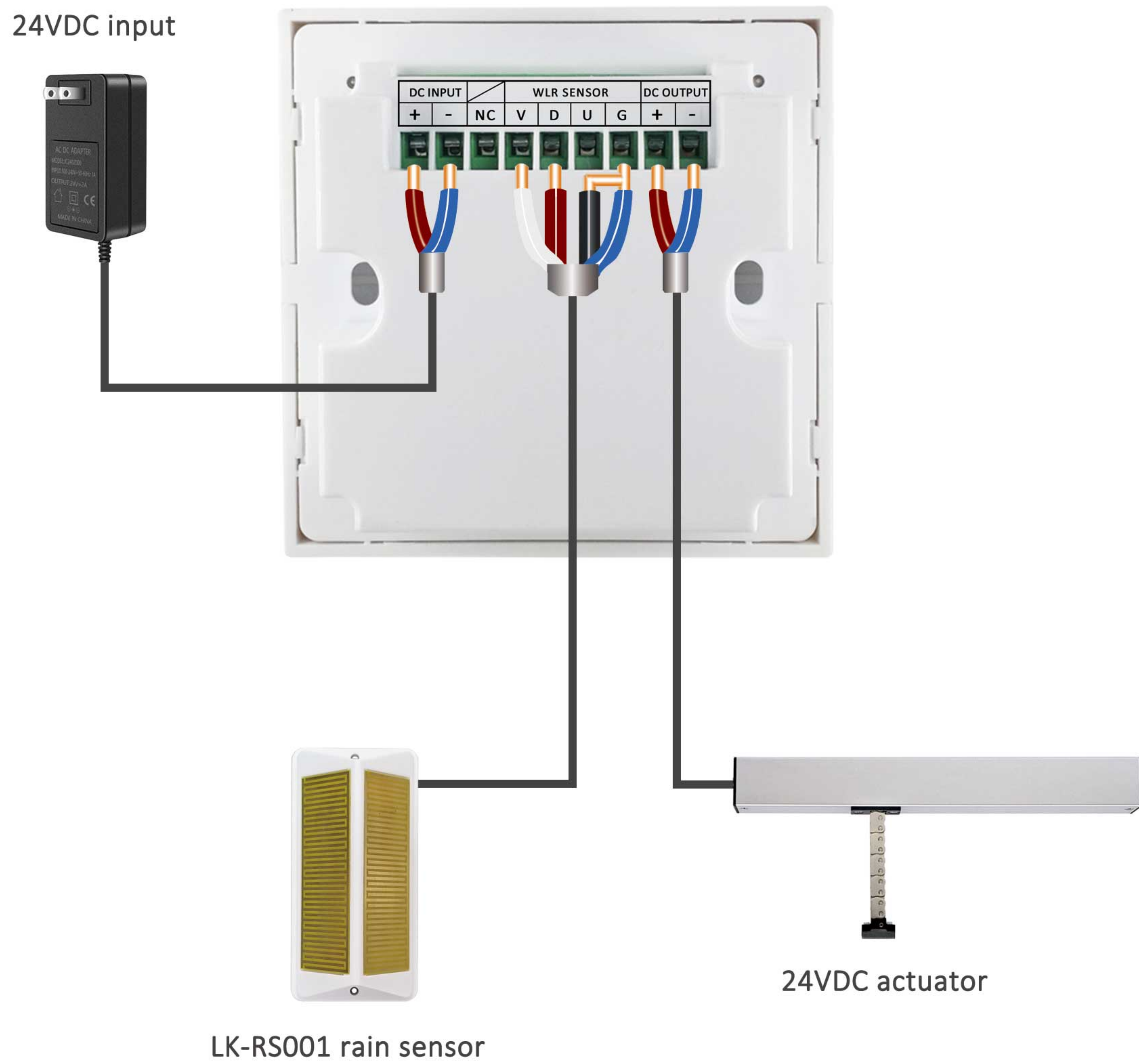
Controller	AC power
AC INPUT	Cable
L	Live wire
E	Earth wire
N	Null wire

Controller	WLR001
WLR Sensor	Cable
V	White
D	Brown
U	Black
G	Blue

Controller	DC actuator
DC OUTPUT	Cable
+	Brown
-	Blue

# LK-MR536

## ■ WIRING DIAGRAM



\* LK-MR536 can connect with LK-WLR001 wind rain sensor as well.

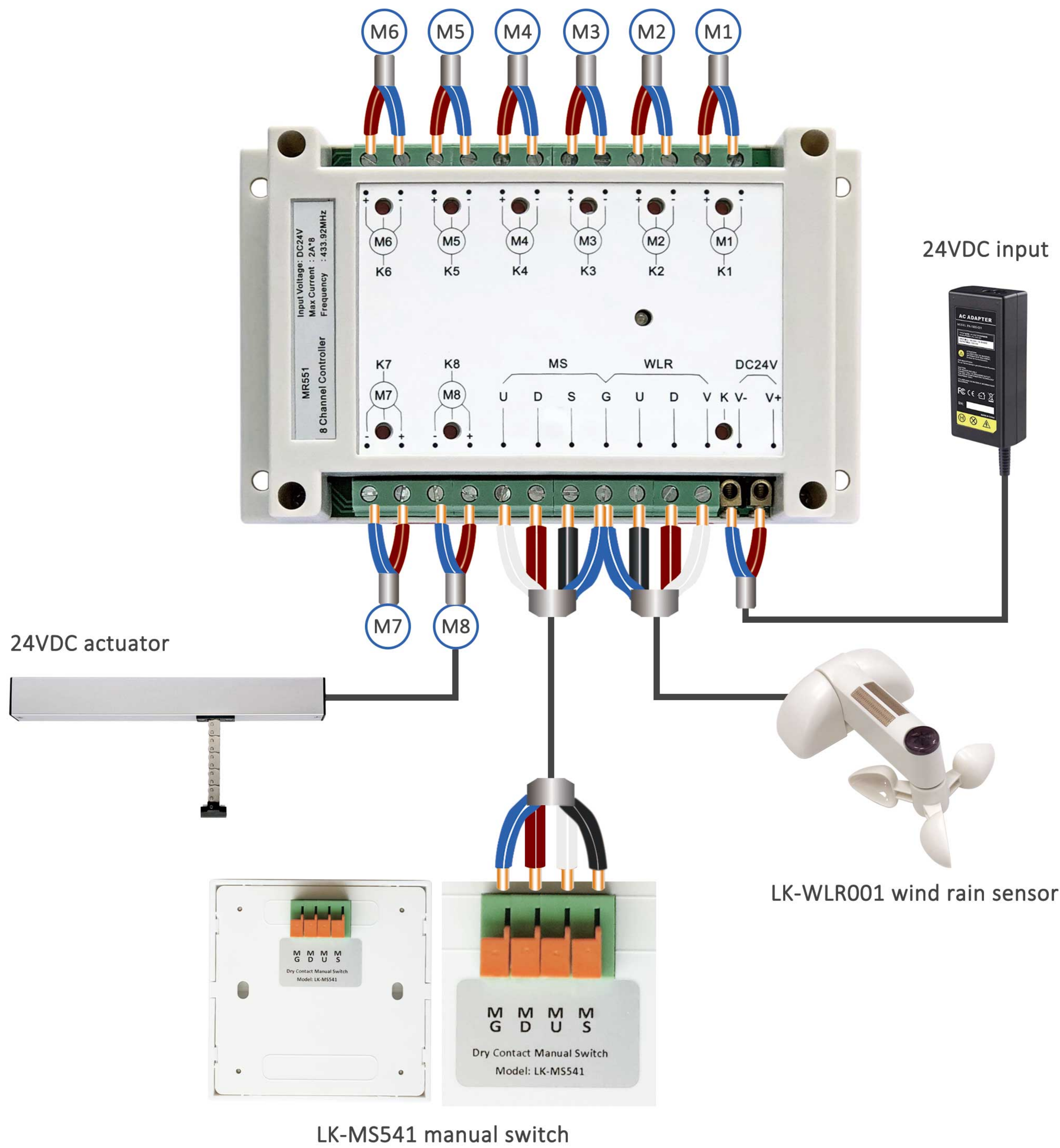
## ■ WIRING DESCRIPTION

MR536	DC power
DC INPUT	Cable
+	Brown
-	Blue

MR536	RS001
WLR Sensor	Cable
V	White
D	Brown
U	
G	Blue+Black

Controller	DC actuator
DC OUTPUT	Cable
+	Brown
-	Blue

## WIRING DIAGRAM



## WIRING DESCRIPTION

MR551	DC power
DC24V	Cable
V+	24VDC+
V-	24VDC-

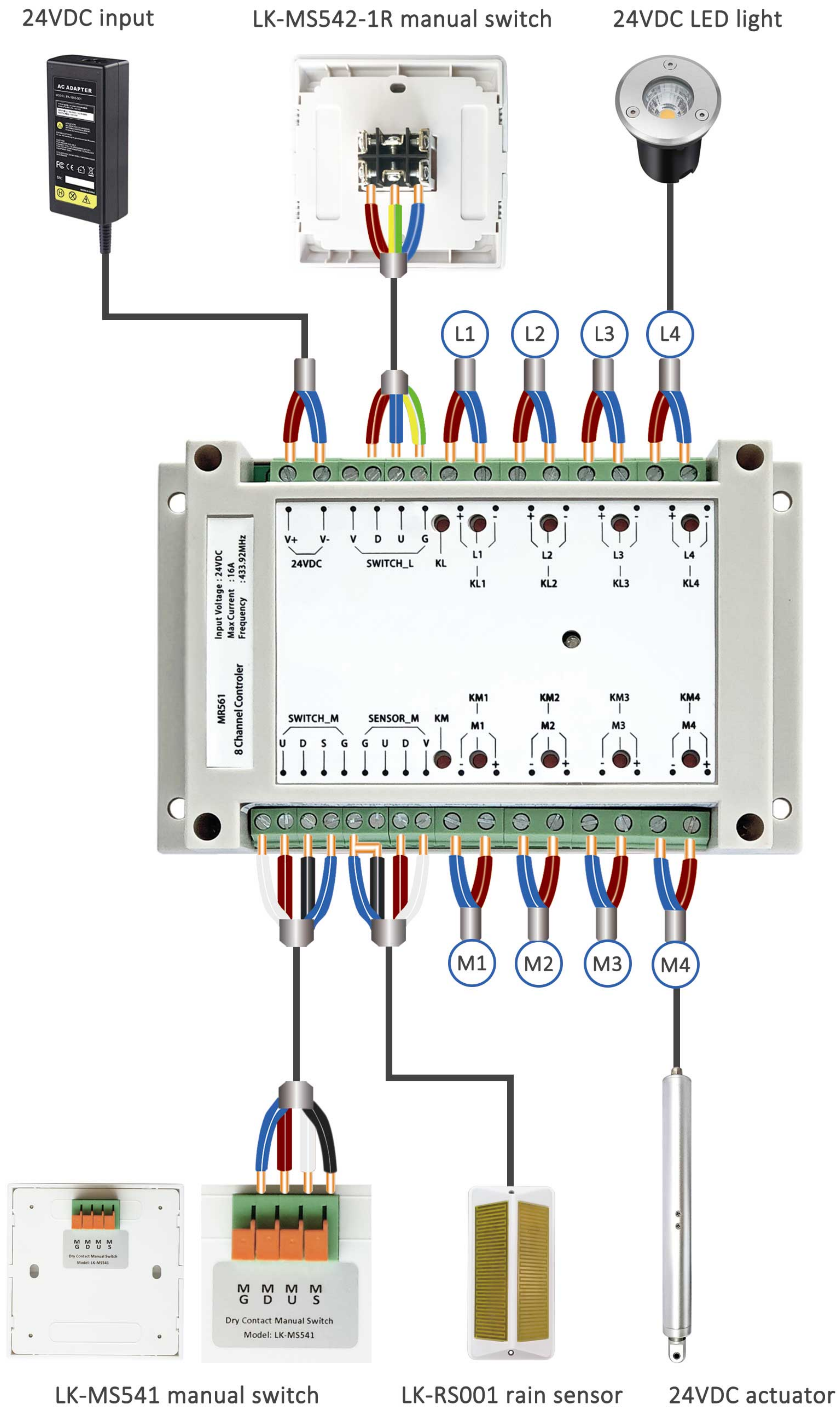
MR551	DC actuator
Mx	Cable
+	Brown
-	Blue

MR551	MS541
MS	Terminal
U	MU
D	MD
S	MS
G	MG

MR551	WLR001
WLR Sensor	Cable
V	White
D	Brown
U	Black
G	Blue

# LK-MR561

## WIRING DIAGRAM



## ■ WIRING DESCRIPTION

MR561	DC power
24VDC	Cable
V+	24VDC+
V-	24VDC-

MR561	DC actuator
Mx	Cable
+	Brown
-	Blue

MR561	DC light
Lx	Cable
+	Brown
-	Blue

MR561	RS001
SENSOR_M	Cable
V	White
D	Brown
U	
G	Black+Blue

MR561	MS541
SWITCH_M	Cable
U	MU
D	MD
S	MS
G	MG

MR561	MS542-1R
SENSOR_L	Cable
V	NC
D	Brown
U	Blue
G	Yellow/Green

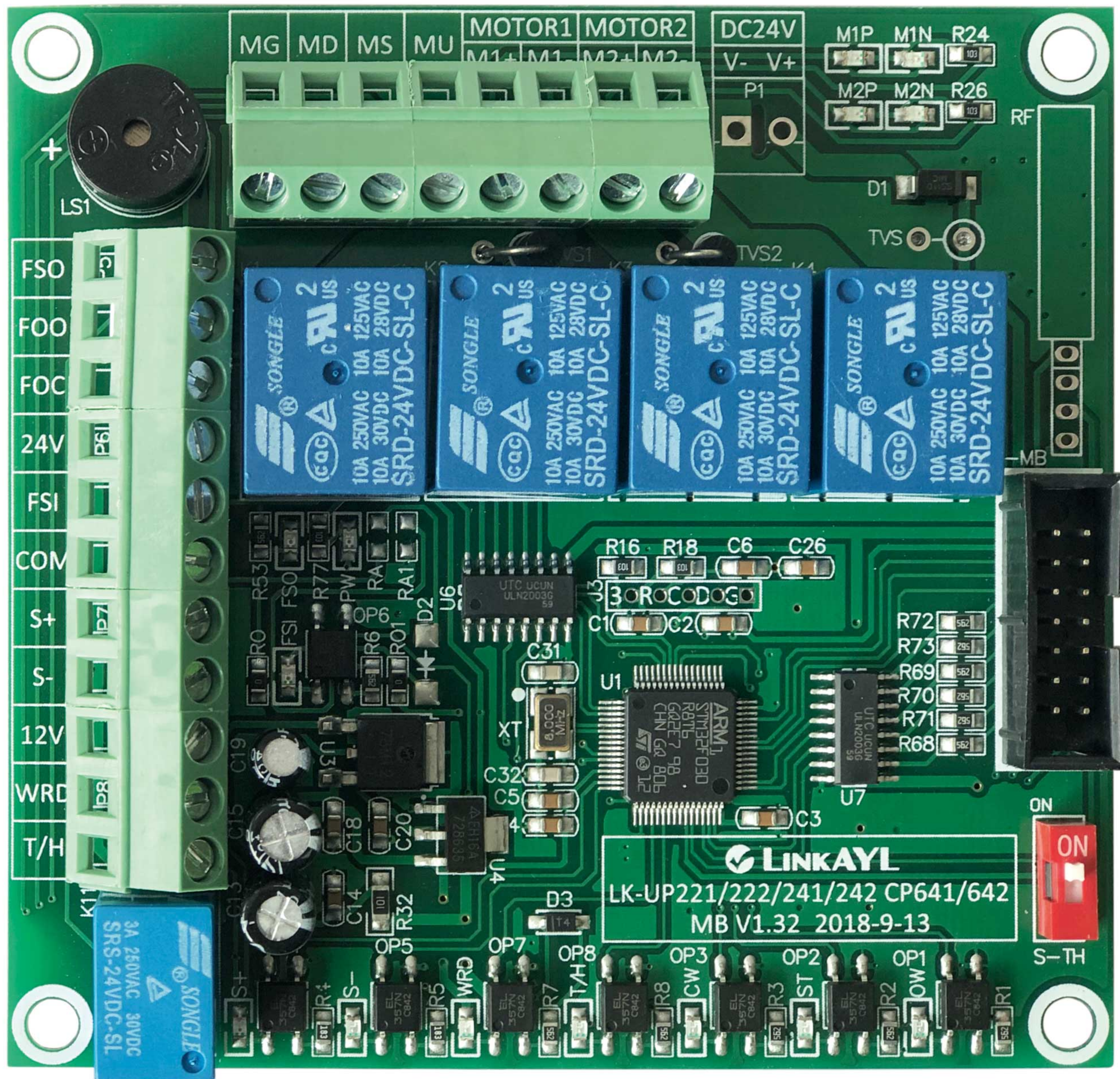


# LK-UP2/LK-CP6/LK-CP7/LK-CP8

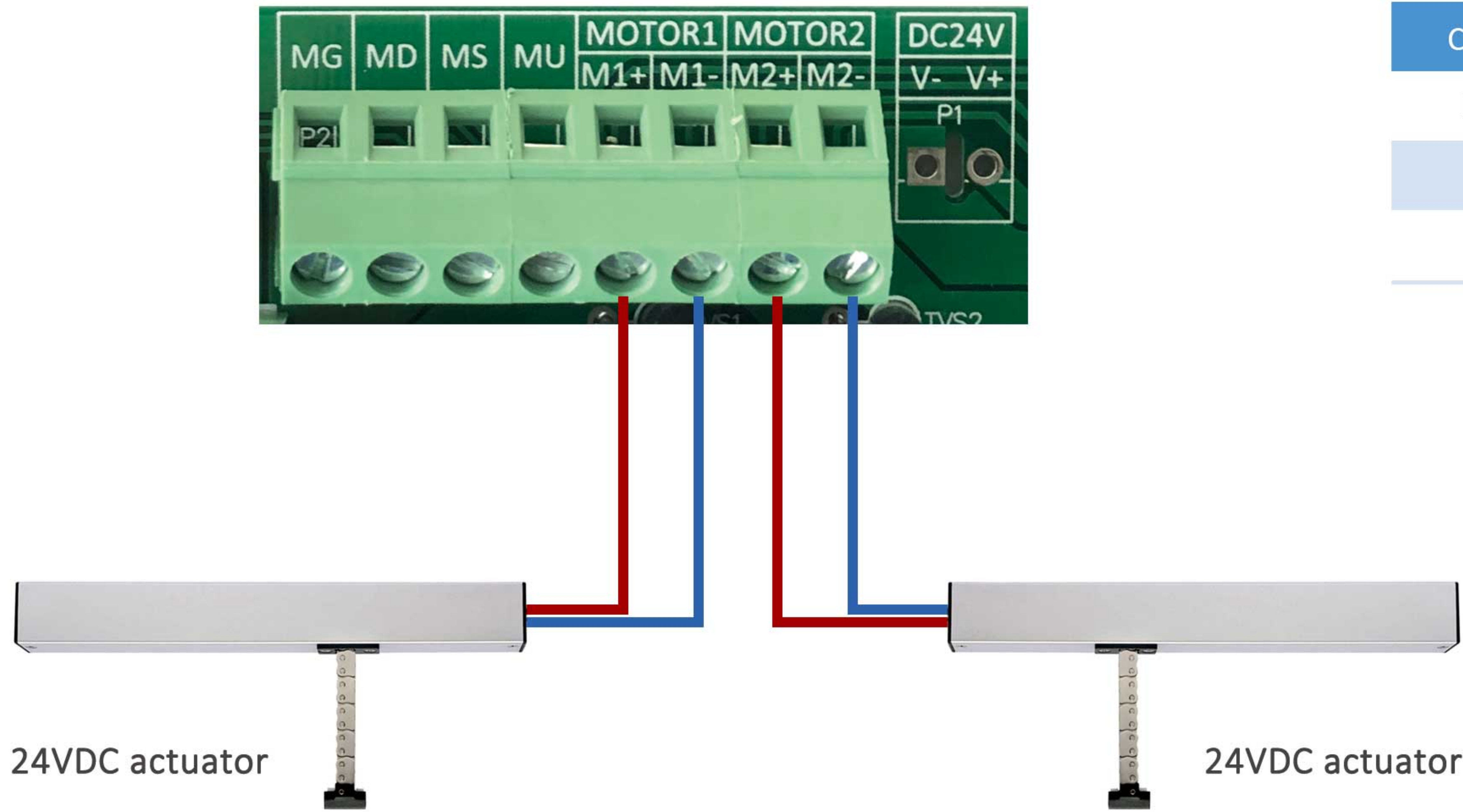
## CONTROL PANEL PCBA

Below control panels have the same or similar terminals.

- LK-UP211, LK-UP221, LK-UP222, LK-UP241, LK-UP242, LK-UP244
- LK-CP641, LK-CP642, LK-CP644
- LK-CP611, LK-CP632, LK-CP635, LK-CP621, LK-CP622, LK-CP625
- LK-CP711, LK-CP722, LK-CP744, LK-CP721S, LK-CP731S, LK-CP741S, LK-CP742S
- LK-CP811, LK-CP822, LK-CP844, LK-CP821S, LK-CP831S, LK-CP841S, LK-CP842S

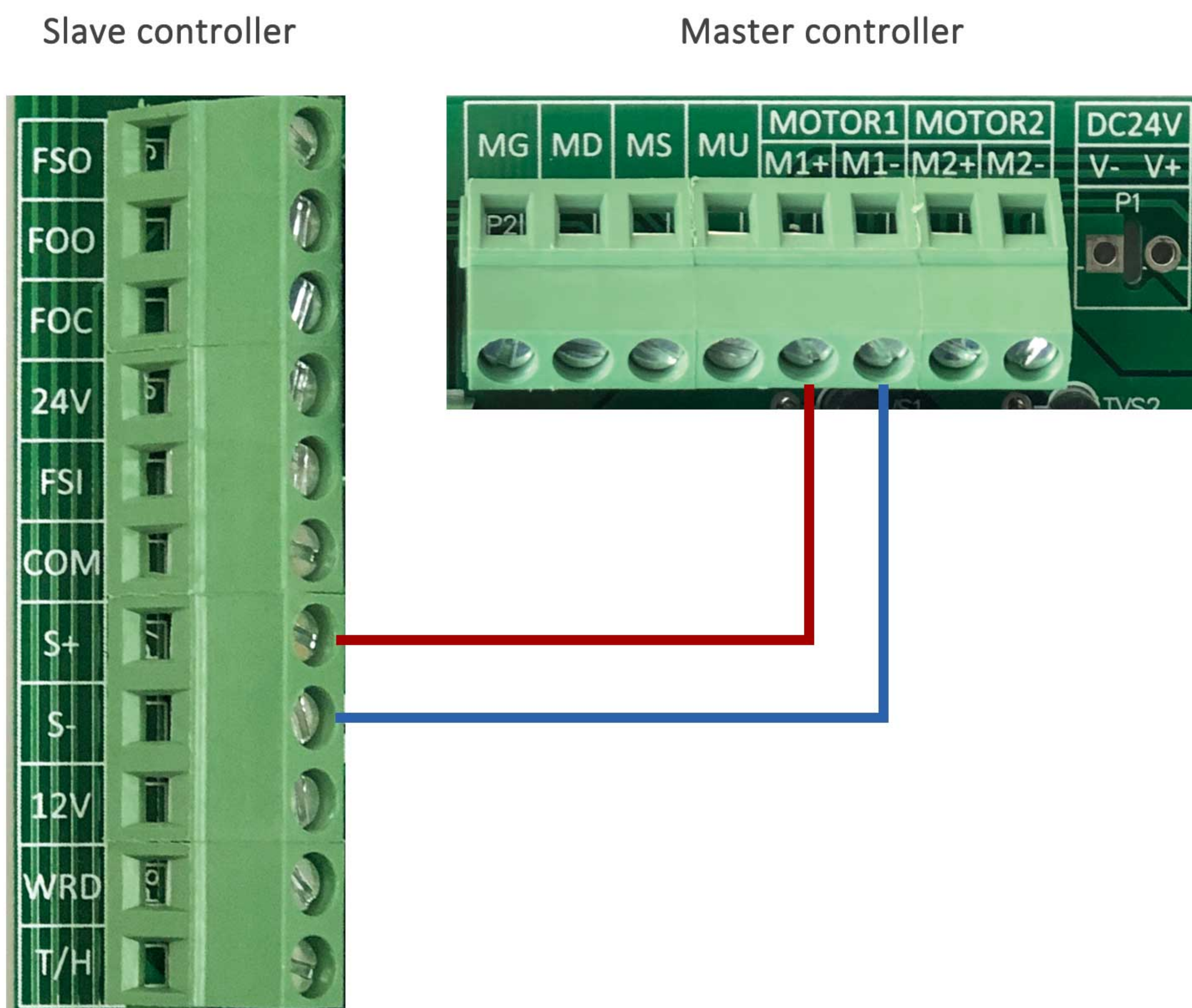


■ 24VDC ACTUATOR WIRING



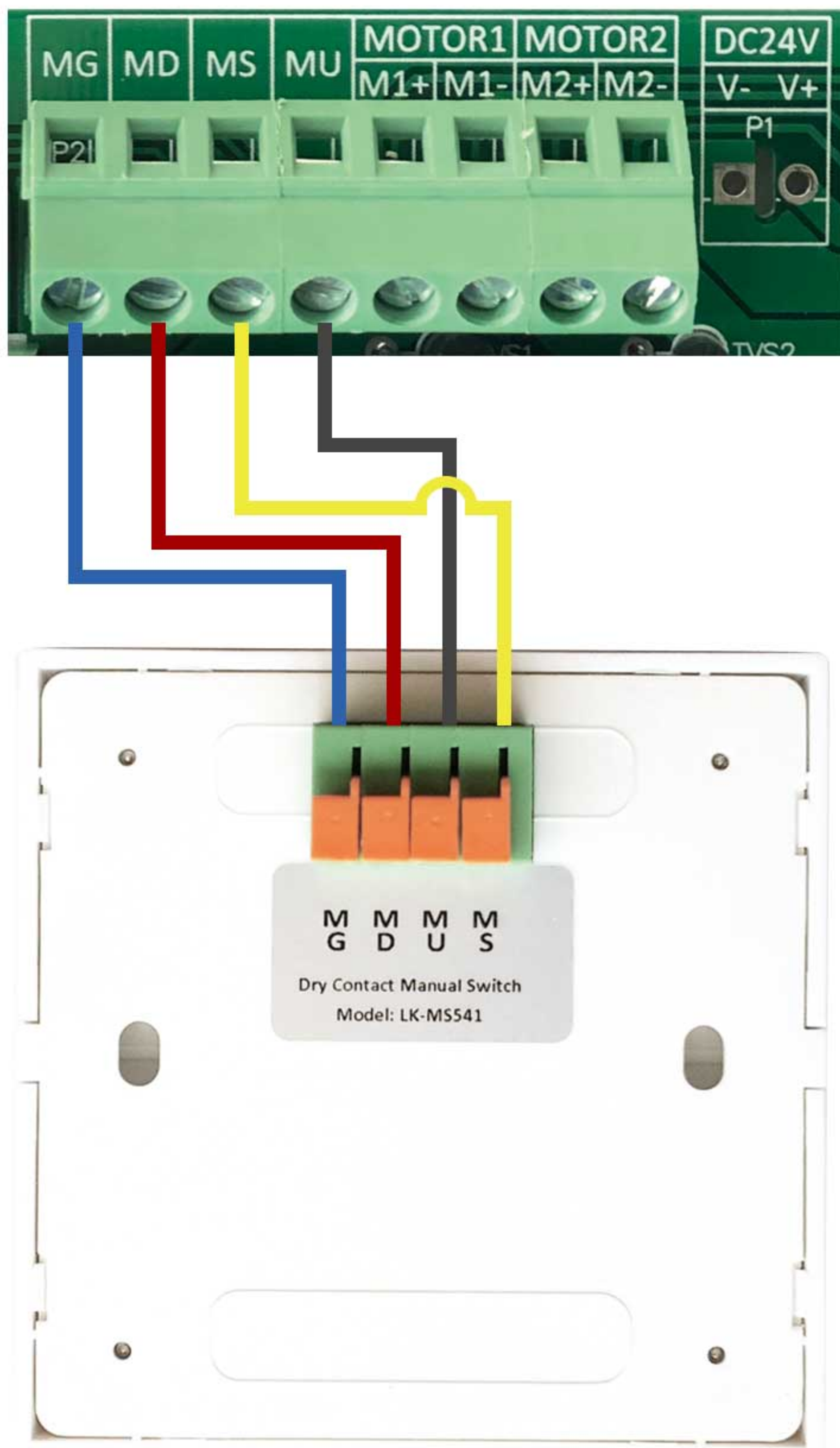
Controller	DC actuator
Motor x	Cable
Mx +	Brown
Mx -	Blue

■ CASCADE CONTROL WIRING



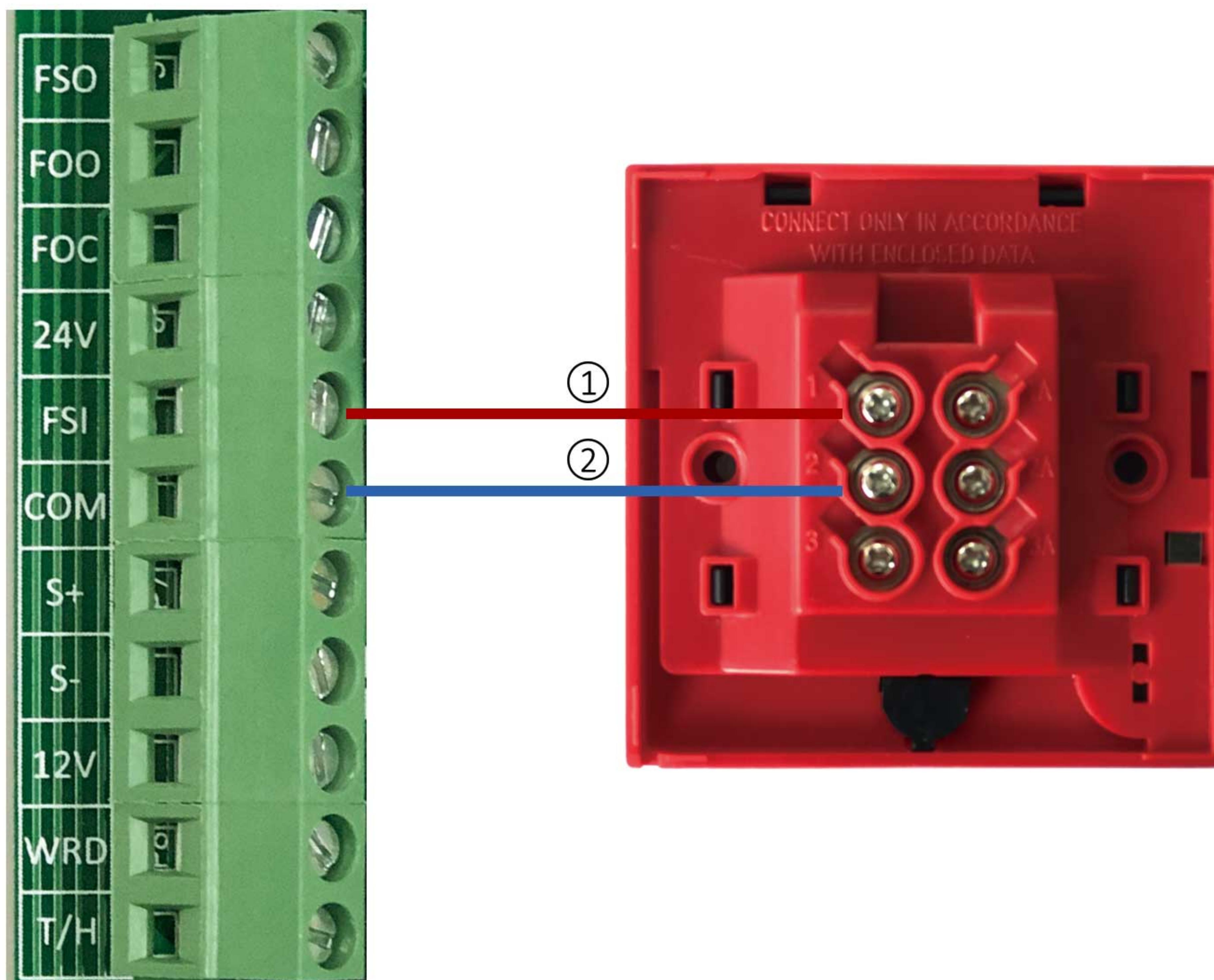
Master controller	Slave controller
Motor x	Terminal
Mx +	S+
Mx -	S-

## LK-MS541 MANUAL SWITCH WIRING



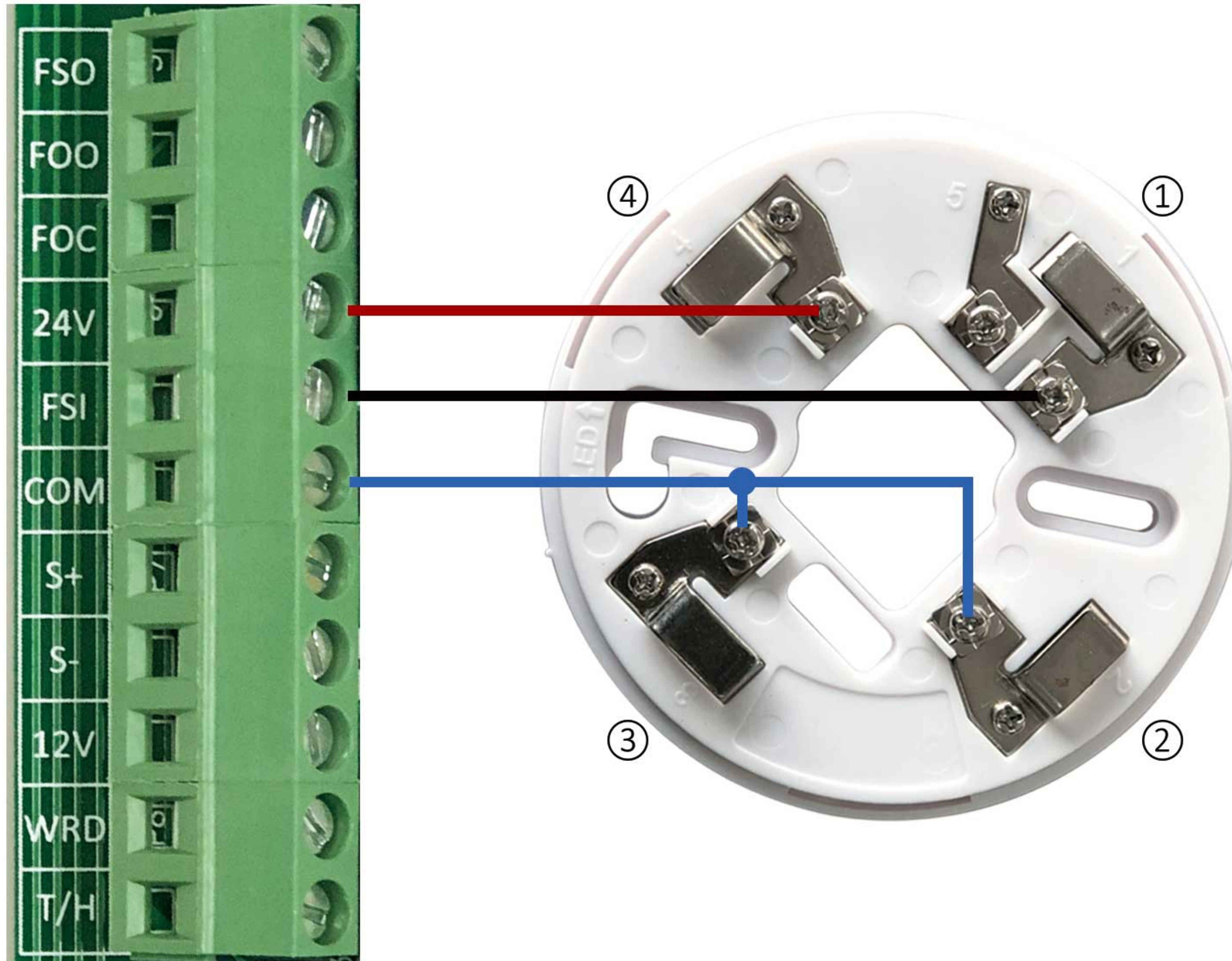
Controller	MS541
Terminal	Terminal
MU	MU
MS	MS
MD	MD
MG	MG

## LK-SB106 CALL POINT WIRING



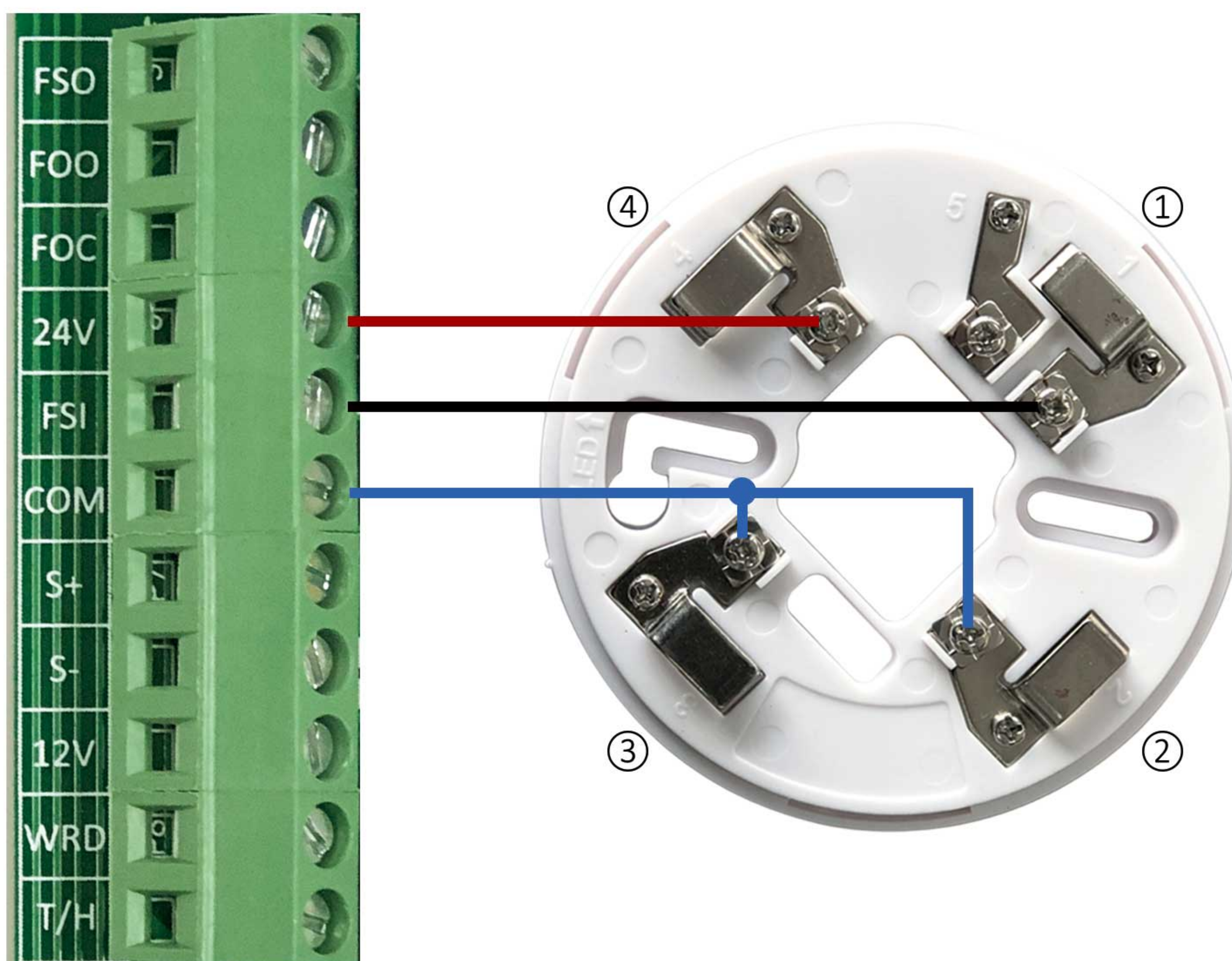
Controller	SB106
Terminal	Terminal
FSI	1
COM	2

■ LK-YT142 SMOKE SENSOR WIRING



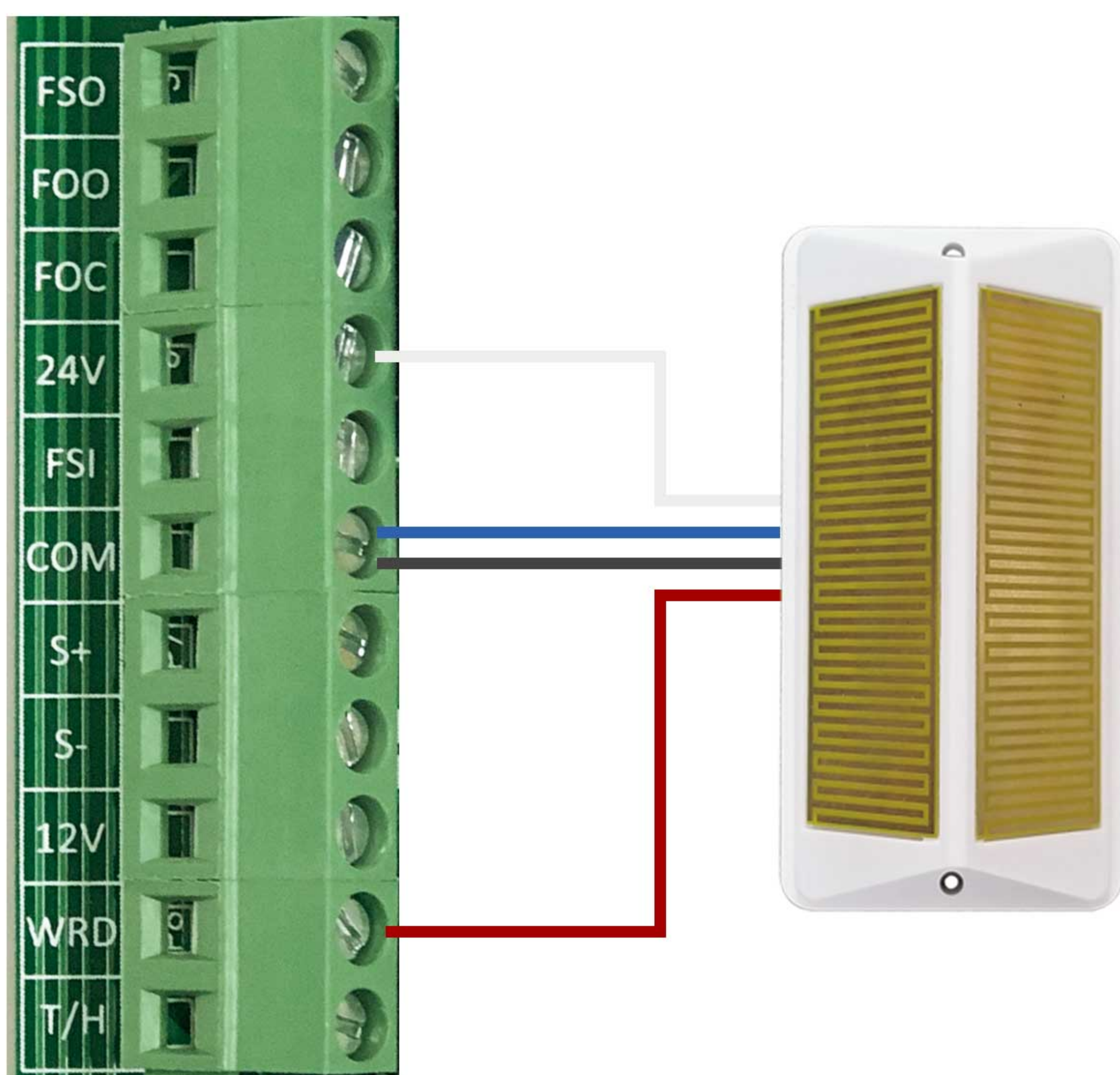
Controller	YT142
Terminal	Terminal
24V	4
FSI	1
COM	2+3

■ LK-GA502 GAS DETECTOR WIRING



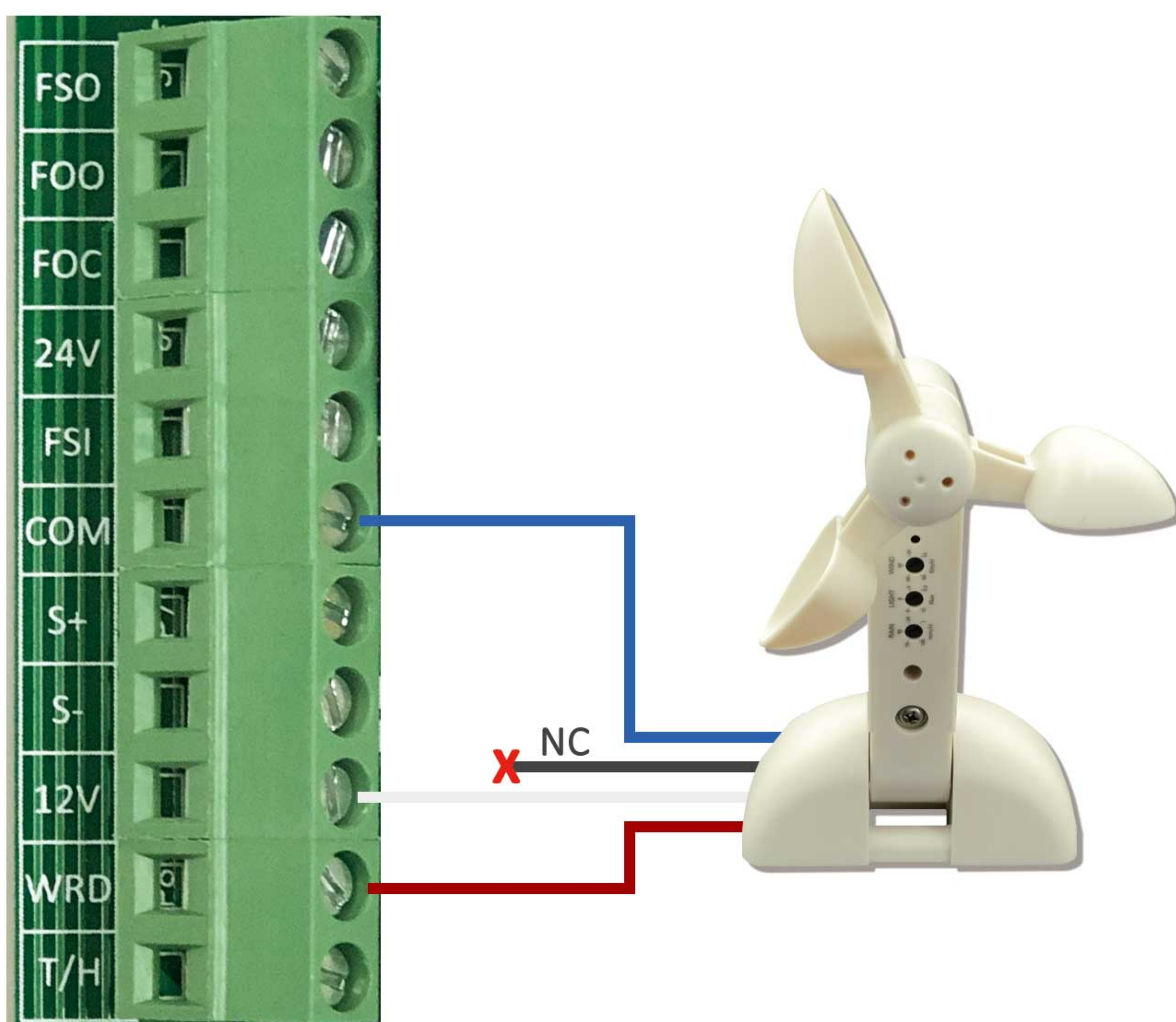
Controller	GA502
Terminal	Terminal
24V	4
FSI	1
COM	2+3

## LK-RS001 RAIN SENSOR WIRING



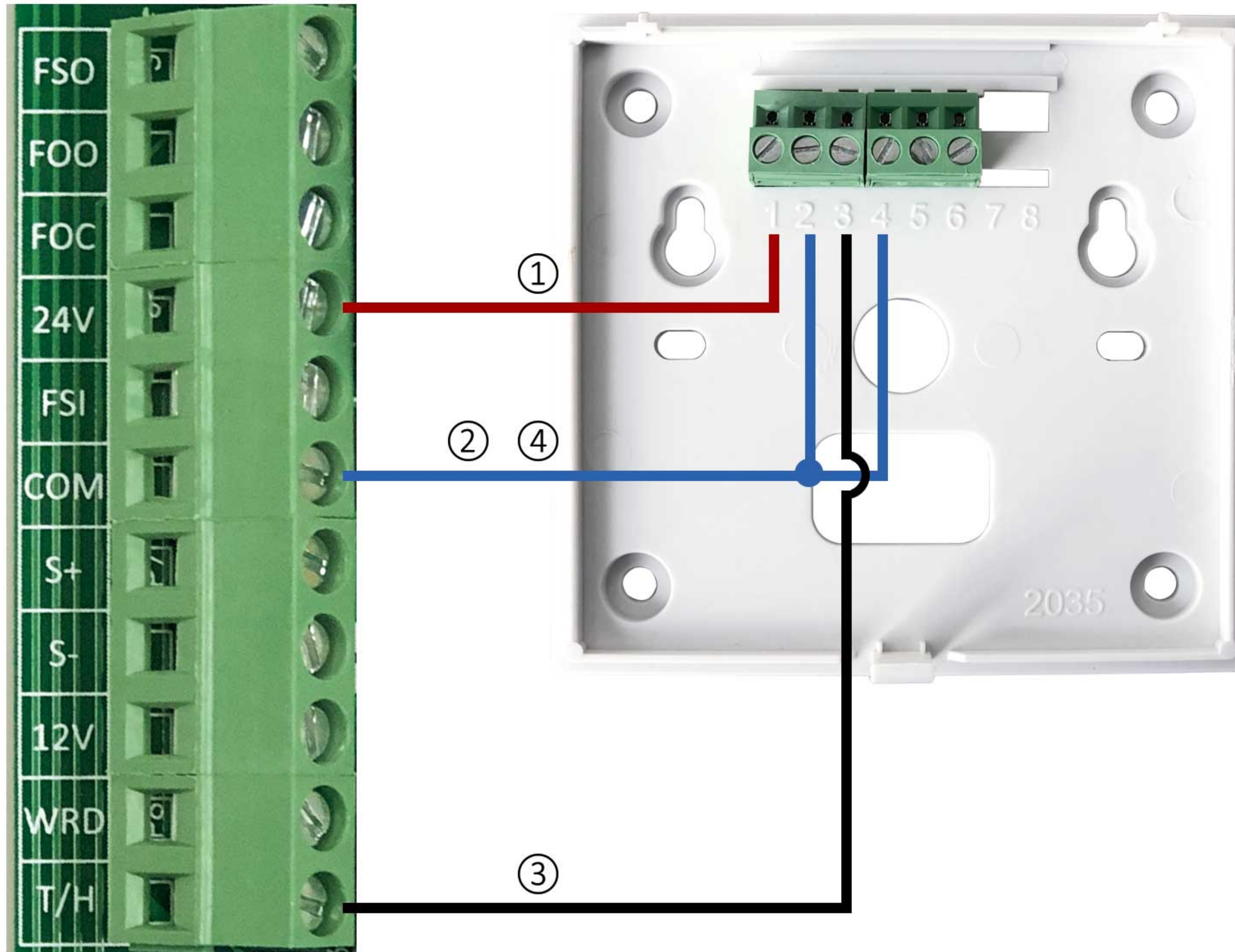
Controller	RS001
Terminal	Cable
24V	White
COM	Blue+Black
WRD	Brown

## LK-WLR001 WIND RAIN SENSOR WIRING



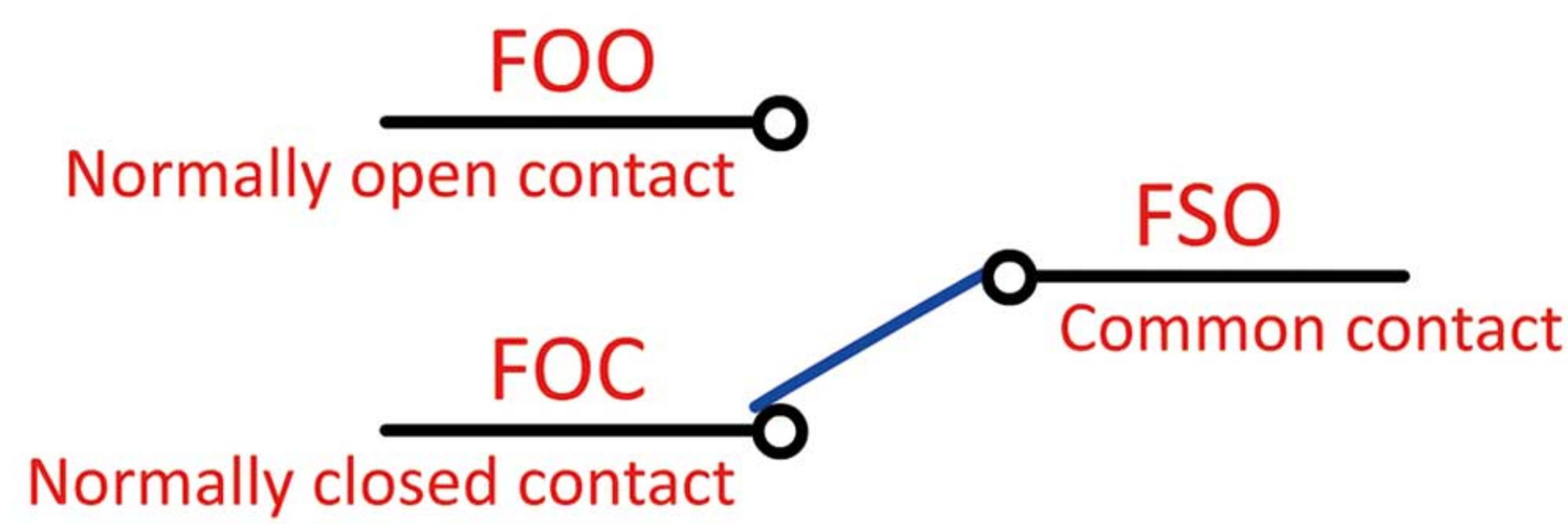
Controller	WLR001
Terminal	Cable
12V	White
COM	Blue
WRD	Brown

■ LK-TH001 TEMP & HUMIDITY SENSOR WIRING



Controller	TH001
Terminal	Terminal
24V	1
COM	2+4
T/H	3

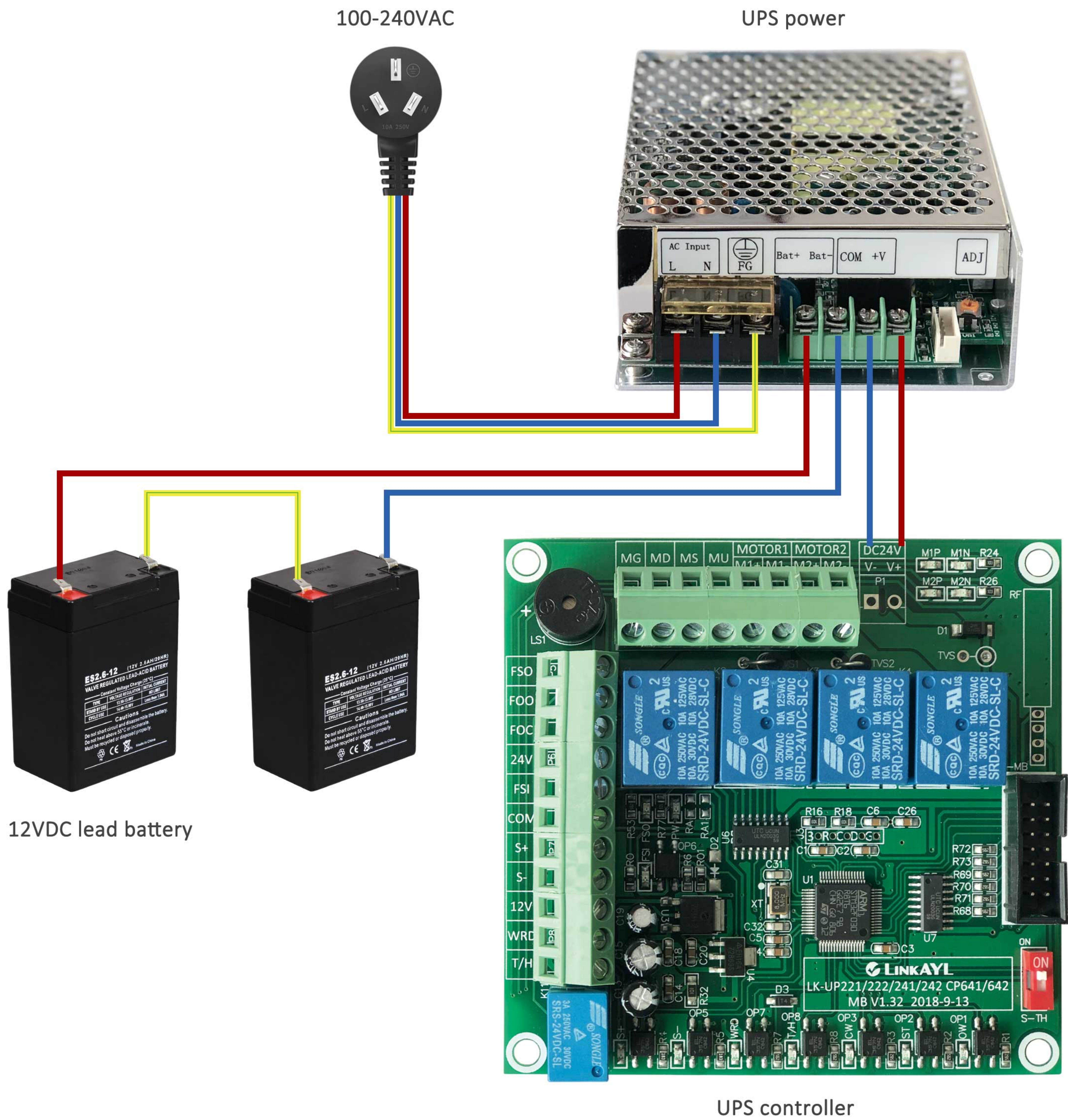
■ FIRE FEEDBACK SIGNAL WIRING



- Controller outputs a fire feedback signal when it receives a fire input signal, such as a smoke signal or a call point signal
- The fire feedback signal has two output modes, normally open and normally closed signals
- FSO is a common contact, FOO is a normally open contact, FOC is a normally closed contact
- If the fire center uses the normally open signal, please use two terminals of FSO and FOO
- If the fire center uses a normally closed signal, please use two terminals of FSO and FOC

# LK-21UP24/LK-UP2

## WIRING DIAGRAM



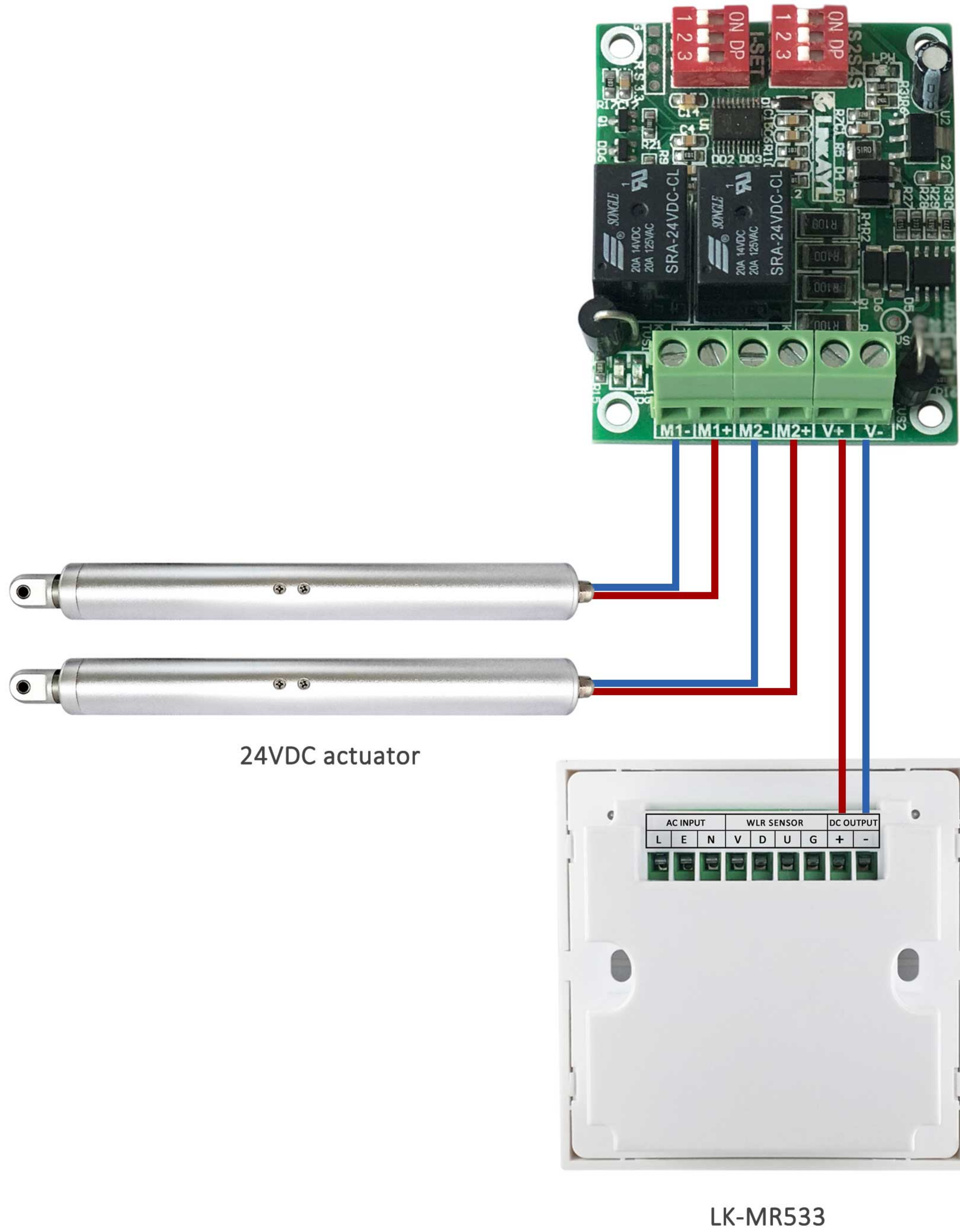
## WIRING DESCRIPTION

UPS power	AC power
AC Inputs	Cable
L	Live wire
N	Null wire
FG	Earth wire

UPS power	Battery
Terminal	Terminal
Bat+	12VDC+
Bat-	12VDC-

UPS power	UPS controller
Terminal	DC24V
+V	V+
COM	V-

## ■ WIRING DIAGRAM



## ■ WIRING DESCRIPTION

S102	MR533
Terminal	Output DC24V
V+	+
V-	-

S102	DC actuator
Terminal	Cable
Mx +	Brown
Mx -	Blue